
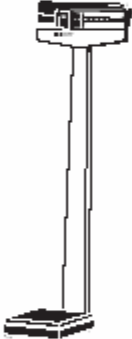




# Health o meter®

## P r o f e s s i o n a l






### PHYSICIAN SCALES – BEAM

All Balance Beam Scales feature an easy-read die-cast beam and 10-5/8" x 20-1/2" x 3-3/8" heavy-duty unitized steel base with DURA-TOP™ ABS plastic long-lasting platform cover. Scales are easy to assemble. Models with height rod include Health o meter Silent Slide height rod with range 24" – 84" x 1/8" and 60cm – 213cm x 1mm. Pound/kilogram scales have rotating poise bars. Platform dimensions: 10-1/2" x 14". Scale height: 57-1/4". Beam length: 18-1/2". 2-Year Warranty.

	MODEL	DESCRIPTION	CAPACITY	MASTER PACK
	<b>402KL</b>	Includes 150 lb. and 40 kg counterweight	500 lb. x 1/4 lb. 200 kg x 100 g	1 each 59-1/4" x 6-3/4" x 20-1/2" 4.74 (cube)
	<b>402KLWH</b>	Includes wheels for mobility		
	<b>402LB</b>	Includes 150 lb. counterweight	500 lb. x 1/4 lb.	
	<b>402LBWH</b>	Includes wheels for mobility		
	<b>402LBCERT</b>	Certiﬁable to Handbook 44 standards		
	<b>400KL</b>		350 lb. x 1/4 lb.	
	<b>55000</b>	Wheels for 400KL, 402LB, 402KL		
	<b>55070</b>	Set of 2 Counterweights		1 set
	<b>55100</b>	Silent Slide Height Rod		1 each
<p>Small, portable professional scale features heavy-gauge steel base and platform for added durability. DURA-TOP™ plastic dial. Scale has carry handle. Scale Dimensions: 9-3/4" x 13-1/4" x 3-1/2".</p>				
	<b>134LB</b>	Speedometer Dial Professional Scale	300 lb. x 1/2 lb.	1 each 10-1/4" x 14" x 6-3/4" .56 (cube)

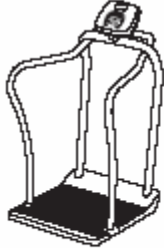
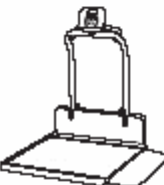
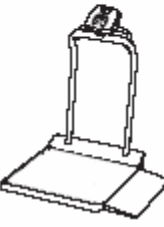


## PHYSICIAN SCALES – DIGITAL

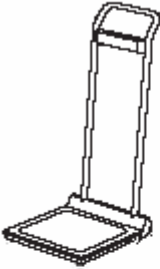
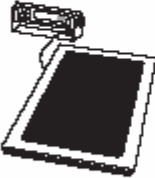

Physician Digital Scales constructed with heavy-duty steel base and all-digital technology. Large 14-1/4" x 14-1/4" platform. Swivel Display with 1" LCD, RS232 connectivity, updateable firmware, BMI. Non-slip mat. Scales operate with 6 C-cell batteries (not included) or AC adapter (included – with holder). Scale dimensions: 22" x 14-1/4" x 54-3/4" (597KL) or 44-1/2" (599KL). 1-Year Warranty.

	<b>597KL</b>	Includes Silent Slide height rod, wheels and handle for mobility	500 lb. x 0.2 lb. 227 kg x 0.1 kg	1 each 52-1/4" x 24-1/2" x 4-3/4" 3.52 (cube)
	<b>MODEL</b>	<b>DESCRIPTION</b>	<b>CAPACITY</b>	<b>MASTER PACK</b>
	<b>599KL</b>	Wheels and handle for mobility, waist-high display.	500 lb. x 0.2 lb. 227 kg x 0.1 kg	1 each 40" x 21" x 4-3/4" 2.31 (cube)
	<b>752KL</b>	2-piece scale with fixture for wall-mount or table-top display, 9' cable.		1 each 25-1/2" x 19-1/4" x 4-3/4" 1.35 (cube)
Physician Digital Scales constructed with heavy-duty steel base, 1/2" remote LCD display, fixture for wall-mount/table 12" x 12". Non-slip mat. Scale operates with 9V battery (included) or AC adapter (included). 9' cable for remote display.				
	<b>349KLX</b>	Includes RS232 connectivity Color: White	400 lb. x 0.2 lb. 181 kg x 0.1 kg	2 each 19" x 13-1/2" .96 (Cube)
	<b>320KL</b>	Color: Silver	400 lb. x 0.5 lb. 181 kg x 0.1 kg	

## ACUTE / LONG TERM CARE SCALES – DIGITAL


Pro-Plus® Professional Handrail and Wheelchair Scales. 180° swivel display for side read. Customizable 1" backlit LCD display-displays fractions, decimals and LB/OZ in standard, decimals in metric. Keypad entry, BMI, Manual Tare, Zero, Reweigh, Hold/Release. Auto-Off, Auto-Hold. 270 patient memory. USB and Serial ports (2) for computer interface. Motion-sensing weighing technology. Oversized platforms with wheels for mobility. Clock with date and time. Operates with 6 D-cell batteries (not included) or AC adapter (included with holder). 3-Year Warranty.




	<b>2101KL</b>	Industrial Strength Handrails Platform Dimensions: 26" x 24-1/4" Scale: 30" x 28-1/2" x 47-1/4" <b>Truck shipment may be required</b>	1,000 lb. x 0.2 lb./ 1/4 lb. x 4 oz. 360 kg x 0.1 kg	1 each 50" x 29-3/8" x 9-7/8" 8.34 (cube) Minimum truck shipping weight may apply
	<b>2600KL</b>	Oversized ramp scale. Ramp folds up for easy storage. 2nd ramp available separately. Platform Dimensions: 32" x 37" Scale (ramp down): 42" x 45" x 46-1/2" Ramp: 10" x 32" <b>Truck shipment only – minimums apply</b>		1 each 35-1/4" x 40" x 13-3/4" 11.22 (cube)
	<b>2600RAMP</b>	2nd Ramp for 2600KL		1 each
	<b>2500KL</b>	Ramp Scale Platform Dimensions: 28-1/2" x 29-3/8" Ramp: 10" x 28-1/2" Scale (ramp down): 39-1/2" x 37-7/8" x 46-1/2" 2nd ramp available separately. <b>Truck shipment may be required</b>	1,000 lb. x 0.2 lb./ 1/4 lb. x 4 oz. 360 kg x 0.1 kg	1 each 45-1/2" x 34" x 9-7/8" 8.82 (cube) Minimum truck shipping weight may apply
	<b>MODEL</b>	<b>DESCRIPTION</b>		<b>CAPACITY</b>
	<b>2500RAMP</b>	2nd Ramp for 2500KL		1 each
	<b>2450KL</b>	Portable Wheelchair Scale Low profile for easy access. Platform folds up with carrying handle. Lightweight: weighs 24 lb. Platform width adjusts. Portable head comes with table-top display bracket. Dimensions (open): 23-1/2" to 31-3/4" x 33-1/2" x 3" Dimensions (folded): 17-1/2" x 33-1/2" x 7"	600 lb. x 0.2 lb./ 1/4 lb. x 4 oz. 270 kg x 0.1 kg	1 each 34" x 19" x 6-3/4" 2.52 (cube)
	<b>2000KL</b>	Stretcher Scale includes Hoyer Lift. Stretcher is 70" long Dimensions (closed): 45" x 26" x 72" Dimensions fully extended: 45" x 40" x 78" <b>Truck shipment only – minimums apply</b>		400 lb. x 0.2 lb./ 1/4 lb. x 4 oz. 181 kg x 0.1 kg

All Professional Clinical Digital Scales are constructed with heavy-duty steel. Large 1" LCD display, motion-sensing weight button, Zero, and On/Off button, low battery indicator. Operates with 6-C cell batteries (not included) or AC adapter (ir				
	<b>1101KL</b>	Easy-grip handrail, wheels. Platform Dimensions: 19-1/8" x 19-1/8" Scale Dimensions: 19-1/8" x 19-1/8" x 44-7/8"	700 lb. x 0.2 lb. 310 kg x 0.1 kg	1 each 43-1/4" x 11" x 19-3/4" 5.44 (cube)
	<b>2842KL</b>	Rust-Proof Steel Platform with removable heavy-duty rubber mat. Wall or table- mount display on 8' cord. 1-Year Warranty Platform Dimensions: 42" x 22-3/8" x 2"	600 lb. x 0.2 lb. 270 kg x 0.1 kg	1 each 50" x 24" x 5.5" 3.82 (cube)
	<b>595KL</b>	Built-in movable arms, folding footrest and heavy-duty wheels. Sanitary cushioned seat. Scale: 23-1/4" x 35" x 40-1/8" Seat: 17-1/4" x 17-3/4"	600 lb. x 0.2 lb. 270 kg x 0.1 kg	1 each 28" x 32" x 28" 4.15 (cube)

### ACUTE / LONG TERM CARE SCALES – MECHANICAL




Mechanical Wheelchair/Ramp Scales that combine with 400 model beam scale. 2-Year Warranty on scales, 1-Year Warranty on ramps and seat scale.

	<b>410KLS</b>	400KL Beam Scale with 30" x 30" weighing platform, Scale: 30" x 30" x 57-1/4" 2nd ramp available <b>Truck shipment only – minimums apply</b>	500 lb. x 1/4 lb. 200 kg x 100 g	1 each 34-1/4" x 60" x 32" 38.06 (cube)
---	---------------	--	-------------------------------------	---

	MODEL	DESCRIPTION	CAPACITY	MASTER PACK
	<b>421KLS01</b>	400KL Beam Scale with 26" x 28-3/8" platform. Scale Dimensions: 26" x 28-3/8" x 57-1/4" <b>Do NOT use as Stand-On Scale</b>	500 lb. x 1/4 lb. 200 kg x 100 g	2 cartons Scale: 59-1/4" x 6-3/4" x 20-1/2" 4.74 (cube) Ramp: 34" x 5" x 28" 2.75 (cube)
	<b>420S</b>	Ramp only – 26" x 28-3/8"	n/a	1 ea. 34" x 5" x 28" 2.75 (cube)
	<b>388S01</b>	Portable Seat Scale Weight lock-in for after patient is removed, carry handle. Seat dimensions: 15-1/2" x 12-1/2" Scale dimensions: 15-1/2" x 12-1/4" x 5-3/8"	250 lb. x 1 lb.	1 each 18-1/4" x 7" x 15" 1.11 (cube)
	<b>445S30</b>	Chair balance scale with bubble level, folding side arms and footrest. Heavy duty wheels. Seat: 18-1/2" x 17-1/2" Scale: 21-1/4" x 36" x 30" <b>Truck shipment only – minimums apply</b>	350 lb. x 1/4 lb.	1 each 39-1/4" x 26" x 33-1/4" 19.64 (cube)






### PEDIATRIC SCALES – MECHANICAL

Mechanical Pediatric Beam Scales feature rotating pound/kilogram beam, heavy-duty steel base and lever system. Scale Dimensions: 25" x 20-1/4" x 22-1/4". 2-Year Warranty (1522KL and 1524KL), 1-Year Warranty (386S01).

	<b>1524KL</b>	Sanitary removable child seat for safety and comfort. Seat: 25" x 20-1/4" x 22-1/4"	130 lb. x 1 oz. 65 kg x 20 g	1 each 18-1/4" x 20-3/4" x 25-1/2" 5.59 (cube)
	<b>1522KL</b>	Includes white sanitary ABS tray with built-in measuring tape (23" x 59cm). Tray: 24" x 14-1/4" x 2-1/2"	130 lb. x 1 oz. 65 kg x 20 g	1 each 13" x 21" x 26" 4.11 (cube)
	<b>386S01</b>	Portable Baby Scale – weight lock-in, easy-to-read dial, Sanitary tray. Tray: 19-3/8" x 12-1/4" x 1-1/2" Scale: 19-3/8" x 12-1/4" x 5-1/2"	50 lb. x 1/4 lb.	1 each 21-1/2" x 6-1/2" x 16-1/4" 1.31 (cube)






## PEDIATRIC SCALES – DIGITAL

Digital Pediatric Scales with easy-to-clean trays, motion-sensing technology compensates for infant movement (2200KL, 553KL, and 550KL). Auto-off, low battery indicator. 1-Year Warranty.

	<b>2200KL</b>	Neo-natal scale. Features: Reweigh, LB/KG, Zero/Tare, 1" LCD, Measuring Tape (21-3/4" x 1/8"   55cm x 1/4cm) 6 C-cell batteries (not included), 120V AC adapter. Tray: 12" x 22" x 4-1/4"	0-5 lb. x 0.05 oz. 5-12 lb. x 0.1 oz. 12-30 lb. x 0.2 oz. 0-2 kg x 1 g 2-6 kg x 2 g 6-15 kg x 5 g	1 each 28-3/4" x 19" x 11" 3.48 (cube)
	<b>MODEL</b>	<b>DESCRIPTION</b>	<b>CAPACITY</b>	<b>MASTER PACK</b>
	<b>553KL</b>	1" LCD, Features Zero/Clear, Hold/Release, KG/LB Buttons, Measuring Tape (0"– 24" x 1/8" 0-60cm x 1mm), 6 AA batteries (incl.) or 100-240V adapter (available separately). Scale: 25" x 16-1/4" x 3-3/4"	44 lb. x 1/2 oz. 20 kg x 10 g	1 each 26-3/4" x 18-1/4" x 5-1/2" 1.55 (cube)
	<b>550KLS01</b>	1/2" LCD, removable tray converts to stand-on toddler scale, 9V battery (not included) or 120V AC adapter (available separately). Carry case available. Tray: 21" x 9" x 3" Scale: 21" x 11" x 4-1/2"	44 lb. x 1/2 oz. 20 kg x 10 g	1 each 22" x 13-1/4" x 7-1/2" 1.27 (cube)
	<b>549KL</b>	.6" LCD, sanitary tray, 9V battery (included) Tray: 19-1/4" x 12-1/4" x 2-1/4" Scale: 19-1/4" x 13-1/4" x 4-1/2"	44 lb. x 1/2 oz. 20 kg x 0.01 kg	1 each 21-1/2" x 15" x 5-1/4" .98 (cube)
	<b>64769</b>	Carrying Case for 550KLS01 and 549KL		



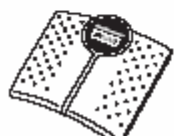
## PROFESSIONAL HOME HEALTH SCALES – MECHANICAL

Professional Home Health Mechanical Dial Scales. Heavy-duty steel construction, 1-Year Warranty.

	MODEL	DESCRIPTION	CAPACITY	MASTER PACK
	<b>160LB</b>	8" dial, raised dial for increased foot room, vinyl mat. Dimensions: 11" x 18" x 7"	400 lb. x 1 lb. 180 kg x 1 kg	2 each 17-1/4" x 21-1/2" x 15" 3.22 (cube)
	<b>160KL</b>	8" dial, raised dial for increased foot room, vinyl mat. Dimensions: 11" x 18" x 7"	400 lb. x 1 lb. 180 kg x 1 kg	2 each 17-1/4" x 21-1/2" x 15" 3.22 (cube)
	<b>142KL</b>	6-1/2" dial, vinyl mat. Dimensions: 17-1/2" x 11-1/2" x 3"	330 lb. x 1 lb. 150 kg x 0.5 kg	2 each 20-1/4" x 12-3/8" x 8-1/4" 1.20 (cube)
	<b>175LB</b>	Vinyl Mat Platform: 1-3/8" x 9-7/8"	330 lb. x 1 lb.	2 each 12-1/2" x 5-5/8" x 11-3/8" .46 (cube)
	<b>100LB</b>	Vinyl Mat Platform: 10-1/4" x 10"	270 lb. x 1 lb.	3 each 10-3/4" x 11-1/4" x 9-1/4"





## PROFESSIONAL HOME HEALTH SCALES – DIGITAL

Professional Home Health Digital Scales. Easy-to-clean plastic platforms over heavy-duty steel bases. Large platform sizes. 1-Year Warranty.

	<b>849KL</b>	Long Life Lithium, 1-1/2" LCD Platform: 13-1/2" x 11-1/2"	330 lb. x 0.2 lb. 150 kg x 0.2 kg	2 each 6-1/4" x 15-1/4" x 13-1/2" .74 (cube)
	<b>845KL</b>	1-1/2" Bright LED Platform 13-1/2" x 11-1/2" 9V battery (incl.)	330 lb. x 0.2 lb. 150 kg x 0.2 kg	2 each 6-1/4" x 15-1/4" x 13-1/2" .74 (cube)
	<b>830KL</b>	.8" LED Platform 12" x 10-1/2" 9V battery (incl.)	300 lb. x 0.5 lb. 136 kg x 0.2 kg	2 each 5-1/8" x 13-1/2" x 13-3/4"

## SPECIALTY PRODUCTS / ACCESSORIES

1-Year Warranty.

	<b>YG1000R</b>	Metric Blood Scale Rotating Dial Dimensions: 6-1/2" x 6-5/8" x 8" Platform: 6" x 4-5/8"	1000 g x 5 g	6 each 25" x 17" x 10-1/4" 2.52 (cube)
	MODEL	DESCRIPTION	CAPACITY	MASTER PACK
	<b>YG500R</b>	Metric Diaper Scale Same dimensions as YG1000R	500 g x 2 g	
	<b>PORTROD</b>	Wall-mount plastic height rod Range: 24" – 83" x 1/16" (60cm – 211cm x 1mm)		1 each 32-1/8" x 4-7/8" x 3-7/8"
	<b>55100</b>	Silent Slide Height Rod 24" – 84" x 1/8" (60cm – 213cm x 1mm)		1 each