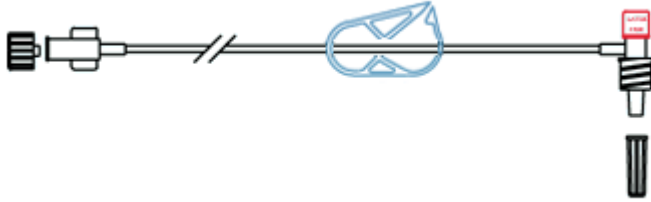


Infusion sets for use with the Marcal Medical 3400 Graseby Syringe Infuser

3400 Infusion Sets

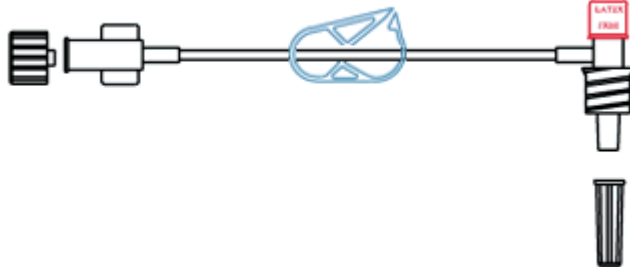
- MC6016T** 60" Microbone non-Dehp extension set with rotating male luer lock, T-connector with pinch clamp. Approximate priming volume 1.6 ml, latex/Freon free 50 each case



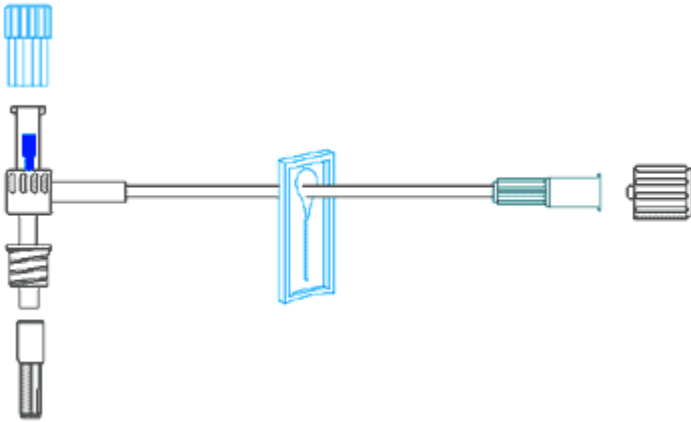
- MC6013** 60" Microbore non-dehp extension set with male luer lock and female luer lock, with pinch clamp. Approximate priming volume 1.2 ml, latex/Freon free. 50 each case



- MC0603** 6" Microbore non-dehp extension set with rotating male luer lock, T-connector with pinch clamp. Approximate priming volume 0.3 ml, latex/Freon free. 50 each case

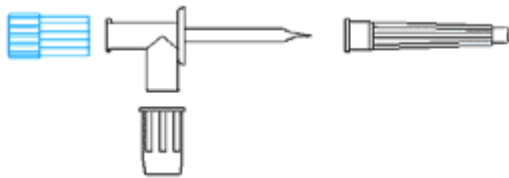


- MC471987** 5" Microbore non-dehp needless extension set with rotating male luer lock, T-connector with slide clamp. Approximate priming volume 0.3 ml, latex free. 50 each case



MC412012 Mini-Spike Dispensing Pin

50 each case



CiV-061 4 way click, lipid resistant stopcock

50 each case

